

Product Card

Potentiometer 1-10 V, Jussi



Dimmer

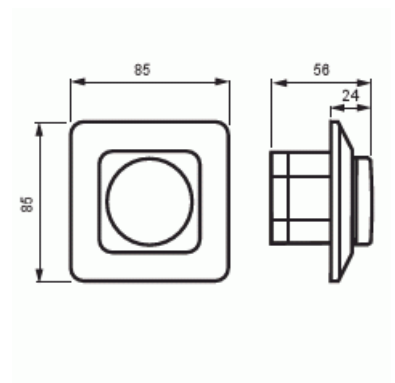
Potentiometer 1-10 V, Jussi

Type: 2112 UJ-214-510

GTIN: 6410035127919



Potentiometer 1-10 V. For controlling electronic control gears for fluorescent lamps, analogy adjustment (IEC 929). Nominal voltage: 230 V/50 Hz. Control current max. 50 mA DC. Switching capability 4 A cos ϕ 0,9. Up to 4 gears can be directly connected to 1 dimmer.



Technical specification

General Information

Product ID: 2CKA006599A2814

Dimensions

Dimensions: 85x85x56

Weight: 74 g

Classification

Enclosure class: IP20

Product Card

Potentiometer 1-10 V, Jussi



Electrical quantities

Rated voltage:	230 V
Breaking capacity:	700 VA
Switching current:	≤ 4 A

Colors

Colour:	White
---------	-------

Electronics

Operating frequency:	50 Hz
Control current:	50 mA

Packing

Package:	1/10
Unit:	PCS

ETIM Data

Mounting method:	Flush mounted (plaster)
Nominal voltage:	230 V
Min. depth of built-in installation box:	32 mm
Device width:	85 mm
Device height:	85 mm
Device depth:	53 mm
Metallic colour:	No
Compatible with Apple HomeKit:	No
Compatible with Google Assistant:	No
Compatible with Amazon Alexa:	No
IFTTT support available:	No